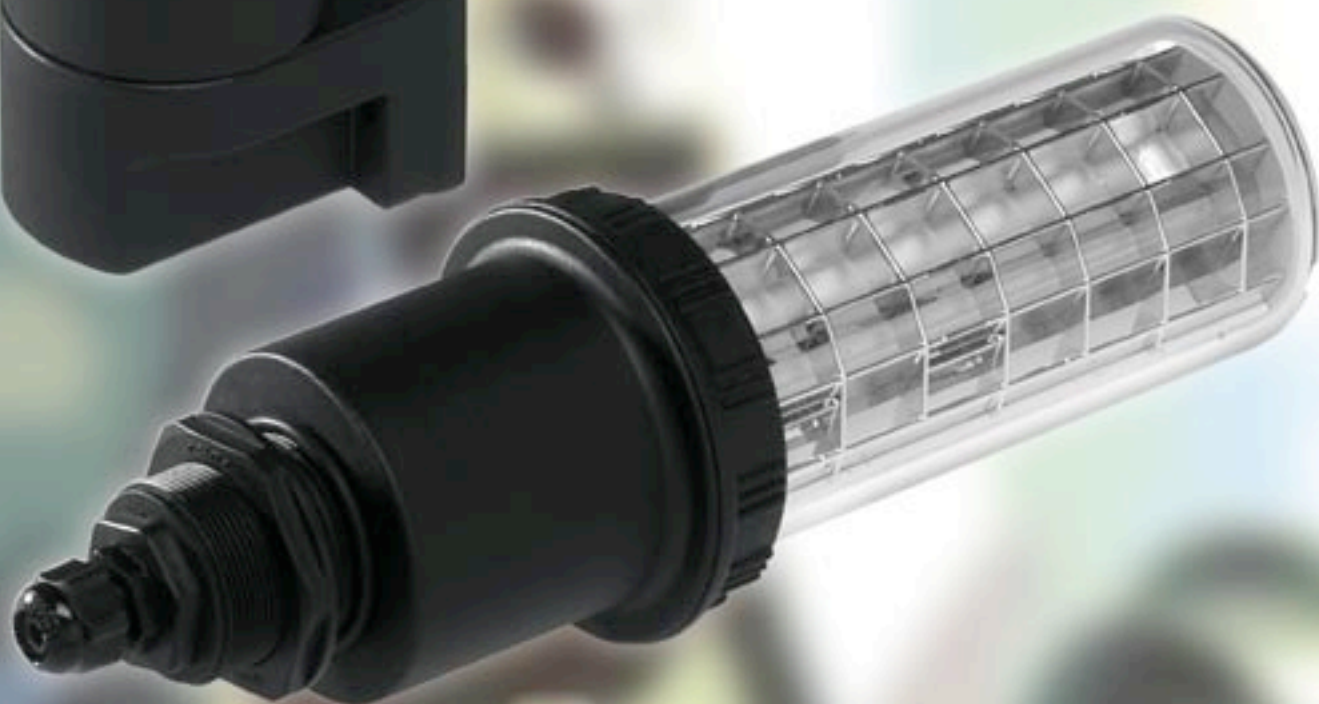


Fluorescent Lamps Series LW

Azienda Certificata



9101.WEST ID-24490
ISO 9001:2000



weste*[⚡]*lettric

Class III insulation (24V variant)
or class II (115V and 230V variants)

Highly brilliant, shake proof,
fluorescent pipe, with long life
and a very white light
(4000° K, coupling GX24q)

Borosilicate glass
protective pipe

Light diffusion 180° with inner
antidazzling grid

Locking ring of nylon
strengthened with fiberglass,
with screw tightening

Self-extinguishing
envelope
Glow Wire 850°



Nylon body reinforced with fiberglass,
provided with stop nut and
oil resistant O-ring

Inner terminal board for
electric connection accessible
from the cable lamp



Cable clamp (IP68) with oil
resistant O-ring (suitable for
cable diam. 5÷10 mm)

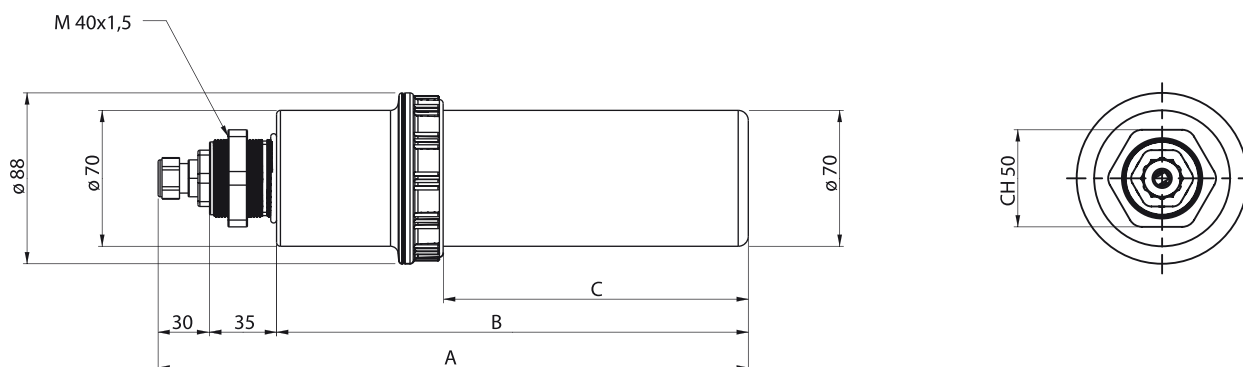
Inner electronic circuit, working with high frequency,
free from the stroboscopic effect and from the emission
of radio noise. Remarkable supply voltage tolerance

TECHNICAL DATA - Lamps Series LWS

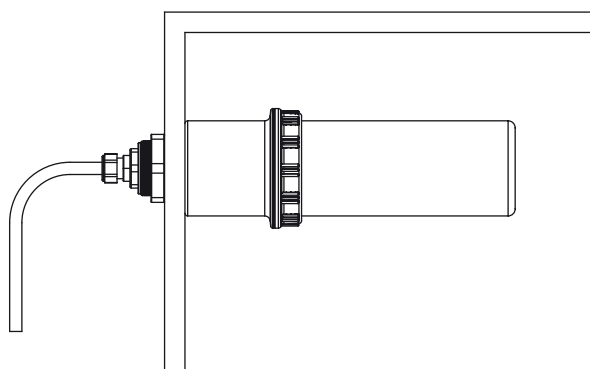


Power (W)	Luminous flux (Lumen)	Dimensions (mm)			Tension (V)	Light item 180° with grid	Light item 180°	Light item 360°
		A	B	C				
13	800	267	202	115	24V ac	LWSN20001	LWSN20000	LWSN20002
					24V dc	LWSN90001	LWSN90000	LWSN90002
					110V ac	LWSN30001	LWSN30000	LWSN30002
					230V ac	LWSN50001	LWSN50000	LWSN50002
18	1200	288	223	137	24V ac	LWSR20001	LWSR20000	LWSR20002
					24V dc	LWSR90001	LWSR90000	LWSR90002
					110V ac	LWSR30001	LWSR30000	LWSR30002
					230V ac	LWSR50001	LWSR50000	LWSR50002
26	1800	300	235	149	24V ac	LWST20001	LWST20000	LWST20002
					24V dc	LWST90001	LWST90000	LWST90002
					110V ac	LWST30001	LWST30000	LWST30002
					230V ac	LWST50001	LWST50000	LWST50002

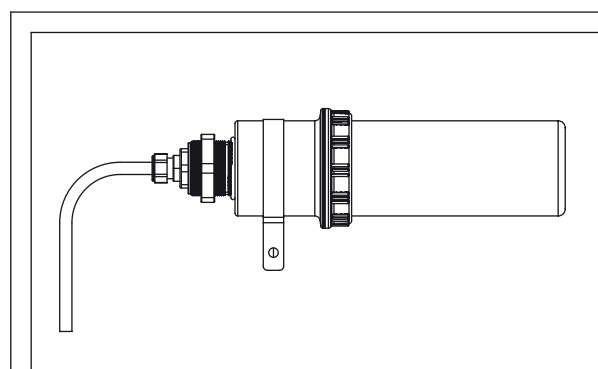
Dimensions (mm)



Wall fixing



Fixing through collar



Fluorescent lamps SERIES LW

westelettric

LAMPS Series LWA

CE

IP67 

Class III insulation (24V variant)
or class II (115V and 230V variants)

Highly brilliant, shake proof,
fluorescent pipe, with long life
and a very white light
(4000° K, coupling GX24q)

Borosilicate glass
protective pipe

Locking ring of nylon
strengthened with fiberglass,
with screw tightening

Light diffusion 180° with inner
antidazzling grid

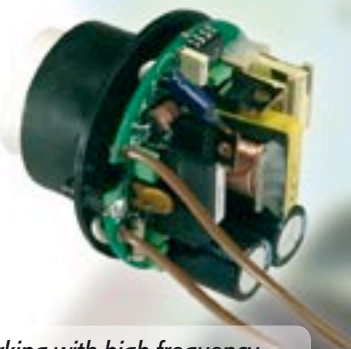
Self-extinguishing
envelope
Glow Wire 850°



Nylon body reinforced
with fiberglass

Inner terminal board for
electric connection accessi-
ble from the cable clamp

Cable clamp (IP68) with
oil resistant O-ring
(suitable for cable diam. 5÷10 m)



Corner support for fixing to the wall,
made up of nylon reinforced with fiberglass

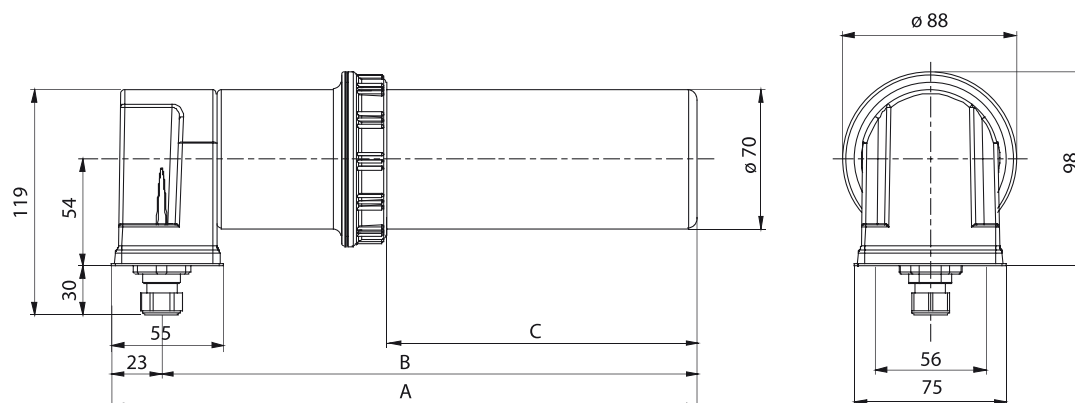
Inner electronic circuit, working with high frequency,
free from the stroboscopic effect and from the emission
of radio noise. Remarkable supply voltage tolerance

TECHNICAL DATA - Lamps SERIES LWA

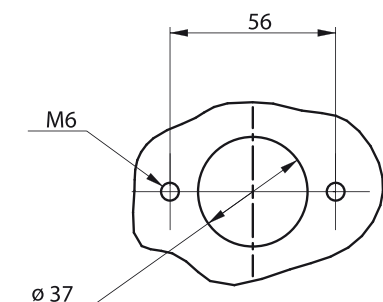


Power (W)	Luminous flux (Lumen)	Dimensions (mm)			Tension (V)	Light item 180° with grid	Light item 180°	Light item 360°
		A	B	C				
13	800	253	230	115	24V ac	LWAN20001	LWAN20000	LWAN20002
					24V dc	LWAN90001	LWAN90000	LWAN90002
					110V ac	LWAN30001	LWAN30000	LWAN30002
					230V ac	LWAN50001	LWAN50000	LWAN50002
18	1200	275	252	137	24V ac	LWAR20001	LWAR20000	LWAR20002
					24V dc	LWAR90001	LWAR90000	LWAR90002
					110V ac	LWAR30001	LWAR30000	LWAR30002
					230V ac	LWAR50001	LWAR50000	LWAR50002
26	1800	287	264	149	24V ac	LWAT20001	LWAT20000	LWAT20002
					24V dc	LWAT90001	LWAT90000	LWAT90002
					110V ac	LWAT30001	LWAT30000	LWAT30002
					230V ac	LWAT50001	LWAT50000	LWAT50002

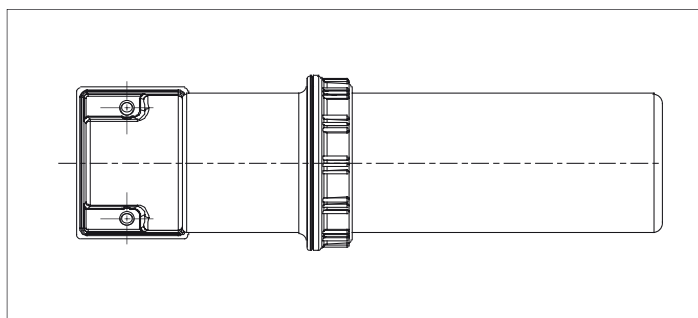
Dimensions (mm)



Drilling template



Wall fixing



Class II insulation

Highly brilliant, shake proof, fluorescent pipe, with long life and a very white light (4000° K, coupling GX24q)

Borosilicate glass protective pipe

Locking ring of nylon strengthened with fiberglass, with screw tightening

Light diffusion 360°

Self-extinguishing envelope
Glow Wire 850°



Electronic circuit incorporated in the lamp, free from the stroboscopic effect and from the emission of radio noise. High supply voltage tolerance

Nylon body reinforced with fiberglass, provided with stop nut and oil resistant O-ring

Inner terminal board for electric connection accessible from the cable clamp

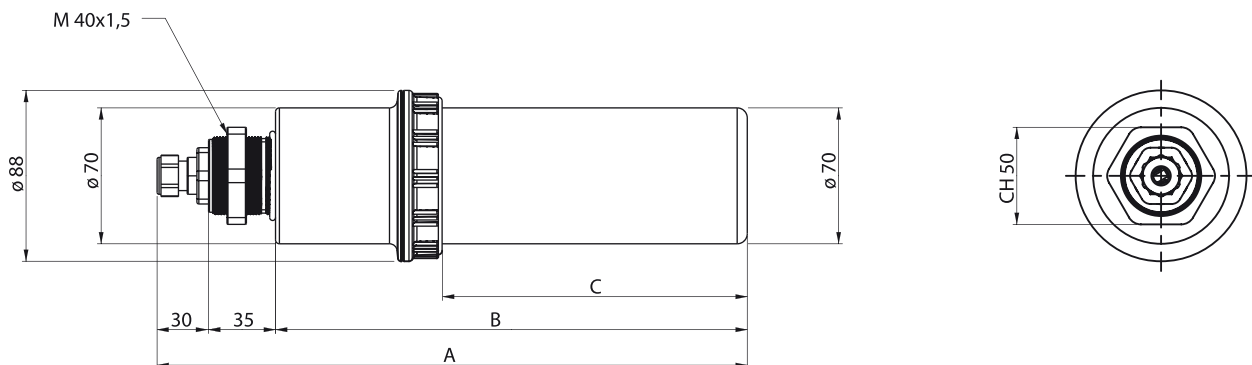
Cable clamp (IP68) with oil resistant O-ring (suitable for cable diam. 5÷10 mm)

TECHNICAL DATA - Lamps Series LWB

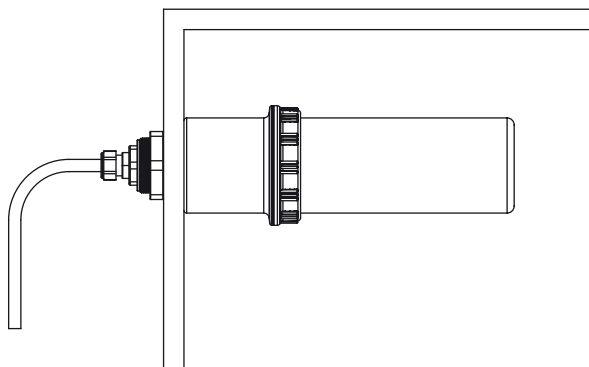


Power (W)	Luminous flux. (Lumen)	Dimensions (mm.)			Tension (V)	Light item 360°
		A	B	C		
20	1200	267	202	115	230V ac	LWBA50002
23	1500	288	223	137	230V ac	LWBB50002
30	1900	300	235	149	230V ac	LWBC50002

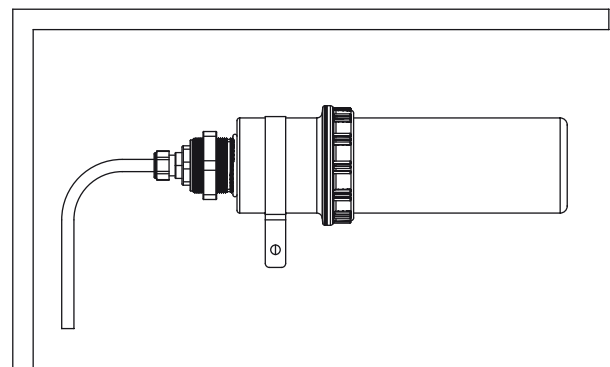
Dimensions (mm)



Wall fixing



Fixing through collar



Fluorescent lamps SERIES LW

westelettric

LAMPS Series LWC

CE

IP67 

Class II insulation

Highly brilliant, shake proof, fluorescent pipe, with long life and a very white light (4000° K, coupling GX24q)

Borosilicate glass protective pipe

Light diffusion 360°

Locking ring of nylon strengthened with fiberglass, with screw tightening

Electronic circuit incorporated in the lamp, free from the stroboscopic effect and from the emission of radio noise. High supply voltage tolerance

Self-extinguishing envelope
Glow Wire 850°



Inner terminal board for electric connection accessible from the cable clamp

Nylon body reinforced with fiberglass

Cable clamp (IP68) with oil resistant O-ring (suitable for cable diam. 5÷10 mm)

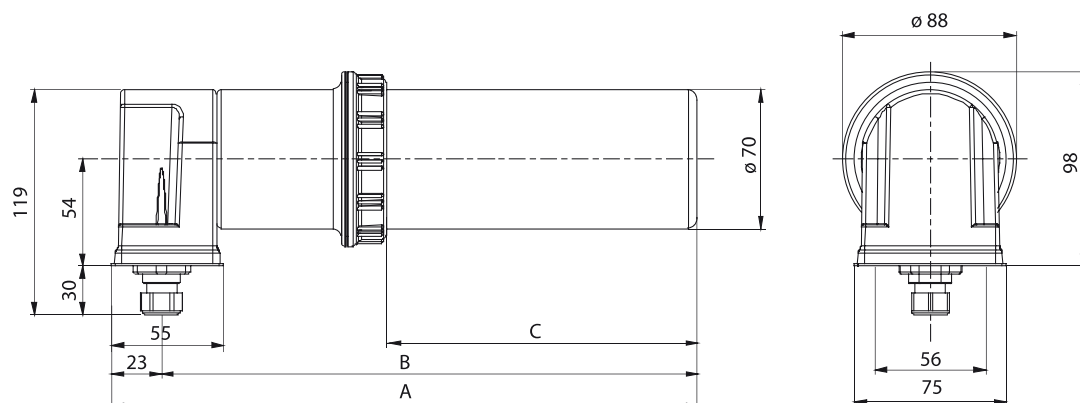
Corner support for fixing to the wall, made up of nylon reinforced with fiberglass

TECHNICAL DATA - Lamps Series LWC

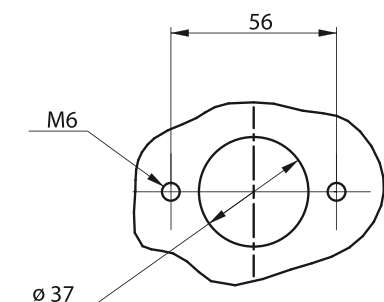


Power (W)	Luminous flux. (Lumen)	Dimensions (mm)			Tension (V)	Light item 360°
		A	B	C		
20	1200	253	230	115	230V ac	LWCA50002
23	1500	275	252	137	230V ac	LWCB50002
30	1900	287	264	149	230V ac	LWCC50002

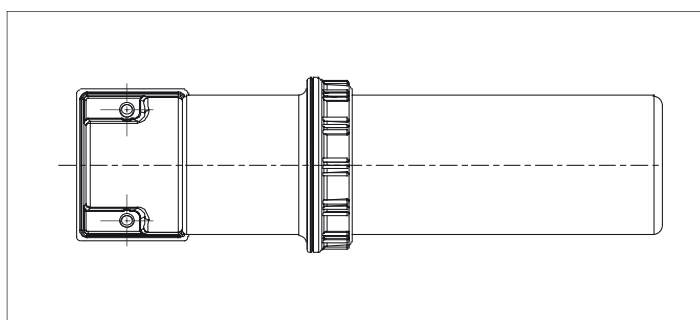
Dimensions (mm)



Drilling template



Wall fixing



Lamp Accessories Series LW

westelettric

Fixing collars for lamps SERIES LW

CE

Description	Item
Short corner fixing clamp	5097056N
Dimensions (mm)	



Long corner fixing clamp	5097057N
Dimensions (mm)	



Straight fixing clamp	5097054N
Dimensions (mm)	



Corner support for lamps SERIES LW

Description	Item
Corner support provided with cover, screws and gasket	KLW7006



Accessories for lamps series LW

westelettric



Optical unit for lamps SERIES LW

Description	Item
Optical unit made up of antidazzling grid, aluminium saddle, upper cover and lower support	
Optical unit for lamp 13W	JH-GRID/13
Optical unit for lamp 18W	JH-GRID/18
Optical unit for lamp 26W	JH-GRID/26



Borosilicate glass for lamps SERIES LW

Description	Item
Borosilicate glass for lamps 13W/20W	VTLW/13
Borosilicate glass for lamps 18W/23W	VTLW/18
Borosilicate glass for lamps 26W/30W	VTLW/26



Electronic circuit for lamps SERIES LW

Description		Item
Circuit unit provided with electronic circuit, support and lamp socket		
Circuit unit for lamps 13W	24V ac	1201204LW/ASS
	24 dc	1201904LW/ASS
	110V ac	1201604LW/ASS
	230V ac	1201504LW/ASS
Circuit unit for lamps 18W	24V ac	1205204LW/ASS
	24 dc	1205904LW/ASS
	110V ac	1205604LW/ASS
	230V ac	1205504LW/ASS
Circuit unit for lamps 26W	24V ac	1203204LW/ASS
	24 dc	1203904LW/ASS
	110V ac	1203604LW/ASS
	230V ac	1203504LW/ASS



